

**SPECIFICATIONS:**

UL LISTED:  
UL CLASS 2 LISTED VAULT DOOR.

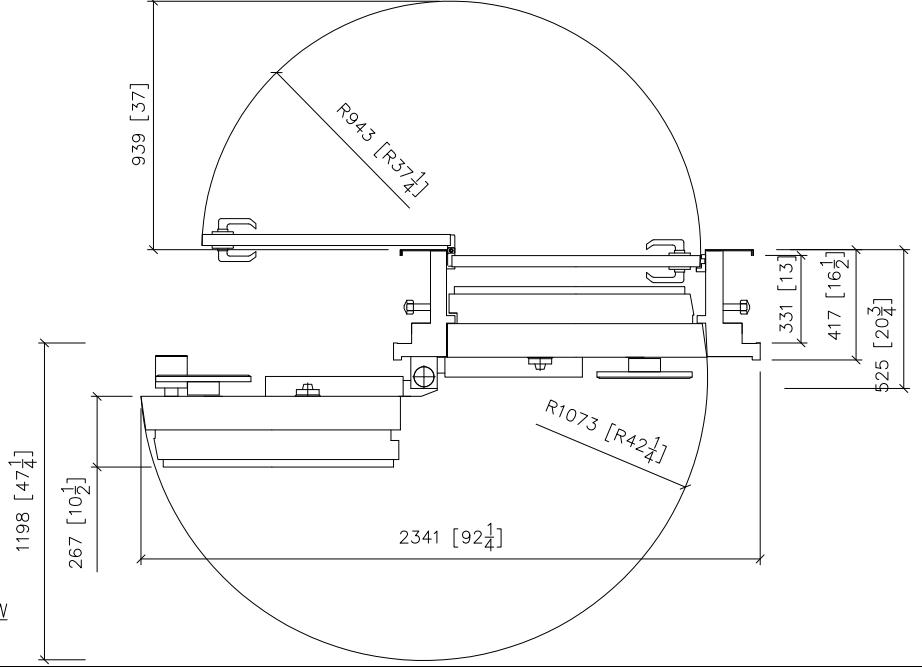
TIME LOCK(OPTION):  
UL LISTED THREE MOVEMENT ANTI-SHOCK TIME LOCK WITH EMERGENCY RELEASE.

EMERGENCY VENTILATOR:  
EMERGENCY VENTILATOR .

LOCKS:  
UL LISTED GROUP 1, 4-Wheel COMBINATION LOCKS.  
(STANDARD) DUAL CONTROL COMBINATION LOCKS SYSTEM .  
(OPTION) TRIPLE CONTROL COMBINATION LOCKS SYSTEM.

SURFACE:  
ALL EXPOSED METAL SURFACE ARE FINISH IN GLEAMING STAINLESS STEEL INCLUDING THE MASSIVE FULL LENGTH LOCKING BAR. DOOR EDGE AND JAMB AREA.

WEIGHT: 1568Kg (3456 LBS)



REVISION	DATE	DESCRIPTION	DRAWN BY	DESIGNED BY	SCALE	PROJECT	DRAWING NAME	PROJECT No.	DRAWING No.
-	-	-	EMMA	-	NIL	-	CLASSIC VAULT DOOR	-	-
			CHECKED BY	APPROVAL	DATE	-	UL CLASS 2 LEFT SWING	-	-
			-	-	2008-2-19	-			